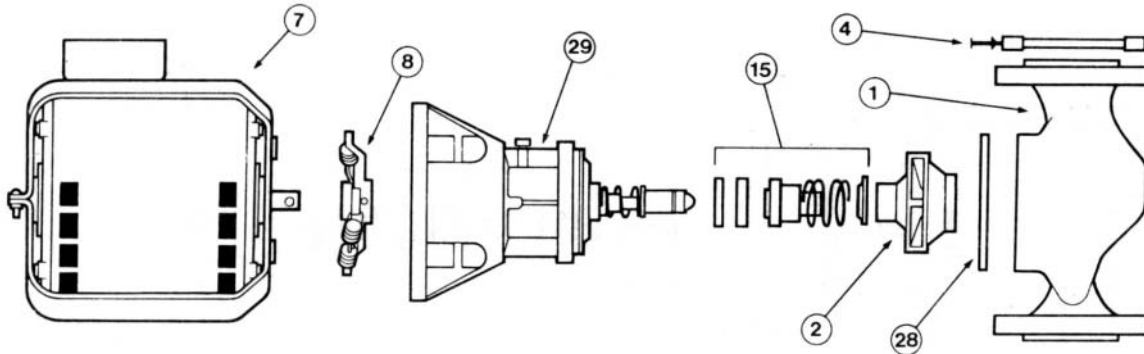


## CIRCULATOR PARTS CROSS REFERENCE

MODEL NUMBER	
ITT / B&G 75 TO 150	ARMSTRONG S-25 STD/BF/AB

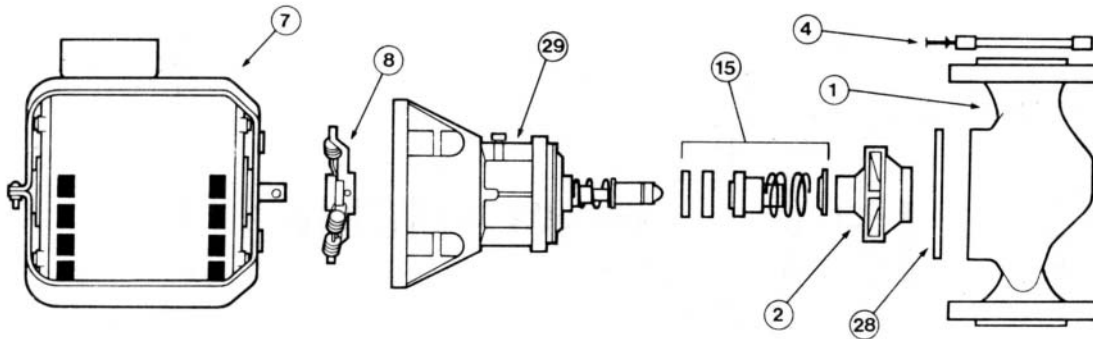


ITEM NO.	PART DESCRIPTION	PART NUMBER	
		B&G	ARMSTRONG
7	1/12 hp Motor	111034	805316-010
29	Universal Seal Bearing Assembly (w/Noryl Impeller)	118844	810119-001
29	Universal Seal Bearing Assembly (w/Noryl Impeller)	189034	810119-001
2	Bronze Impeller	118431	812961-041
2	Steel Impeller	118840	812961-011
2	Noryl Impeller	189132	812961-111
8	Coupler	189110/118705	806026-001
28	Body Gasket	P04080	104442-000
4	Flange Gasket	118368	805176-000*
4	Flange Gasket Kit	ARMSTRONG ONLY	816653-000
15	Seal Kit	118681	816706-021
1	Bronze Body	118413	805482-041
1	Cast Iron Body	118339	805482-011

Note: \*Gasket kit contains 2 – 116653-000 Gaskets and 2 – 105176-000 Gaskets.  
For Flanges: See Flanges cross reference sheet.

## CIRCULATOR PARTS CROSS REFERENCE

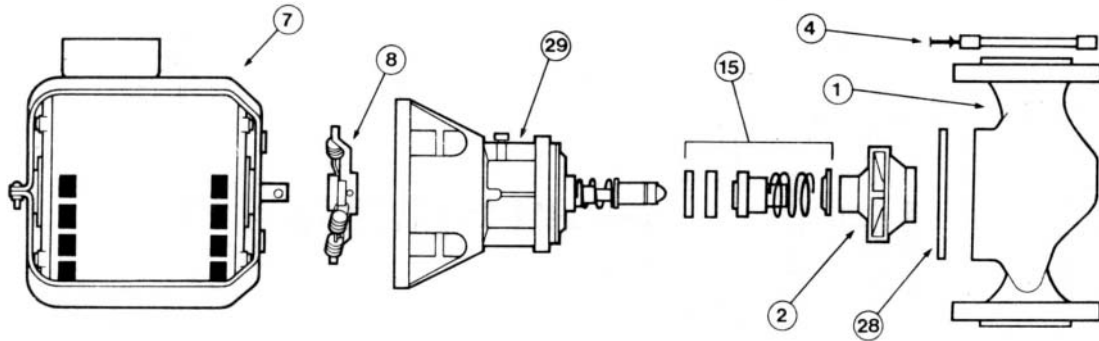
MODEL NUMBER	
ITT / B&G 1 1/2" (Discontinued 12/76)	ARMSTRONG S-34 STD/BF/AB



ITEM NO.	PART DESCRIPTION	PART NUMBER	
		B&G	ARMSTRONG
7	1/6 hp Motor	111036, 111031	817025-001
29	Universal Seal Bearing Assembly (w/Noryl Impeller)	189101	810119-003
29	Universal Seal Bearing Assembly (w/Noryl Impeller)	189103	810119-003
2	Bronze Impeller	N/A	816322-042
2	Steel Impeller	N/A	816322-012
2	Noryl Impeller	118435/118666	806331-111
8	Coupler	118705/189110	806026-001
28	Body Gasket	P04890	106049-000
4	Flange Gasket Prior 1967	118373	804034-000
4	Flange Gasket New	N/A	N/A
15	Seal Kit	118681	816706-021
1	Bronze Body	N/A	816402-041
1	Cast Iron Body	N/A	816402-011

## CIRCULATOR PARTS CROSS REFERENCE

MODEL NUMBER	
<b>ITT / B&amp;G 2"</b> (MFTD. PRIOR TO 7/76, DATE CODE GT)	<b>ARMSTRONG S-35 BF/AB</b>

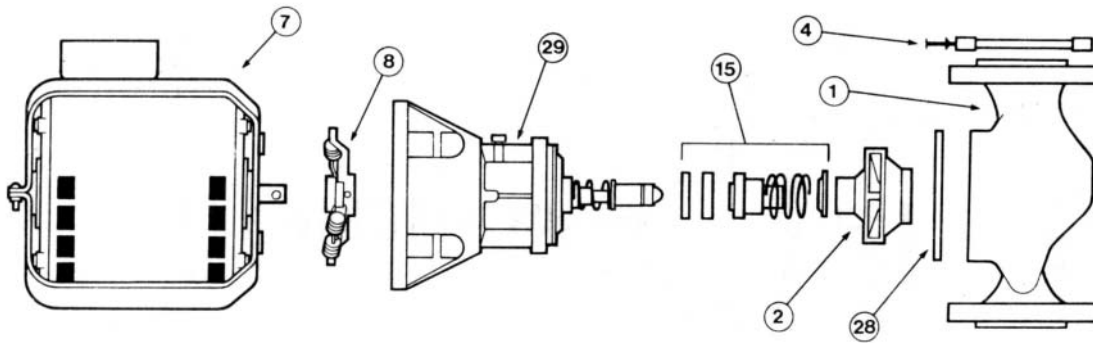


ITEM NO.	PART DESCRIPTION	PART NUMBER	
		B&G	ARMSTRONG
7	1/6 hp Motor	111036, 111031	<b>817025-001</b>
29	Universal Seal Bearing Assembly (w/Noryl Impeller)	189100	<b>810119-003</b>
29	Universal Seal Bearing Assembly (w/Noryl Impeller)	189103	<b>810119-003</b>
2	Bronze Impeller	118436	<b>816556-041</b>
2	Steel Impeller	118668	<b>816556-011</b>
8	Coupler	118705/189110	<b>806026-001</b>
28	Body Gasket	P04890	<b>106049-000</b>
4	Flange Gasket Prior 1967	118065	<b>805209-000</b>
4	Flange Gasket New	N/A	<b>N/A</b>
15	Seal Kit	118681	<b>816706-021</b>
1	Bronze Body	N/A	<b>816327-041</b>
1	Cast Iron Body	N/A	<b>816327-011</b>

For Flanges: See Flanges cross reference sheet.

**CIRCULATOR PARTS  
CROSS REFERENCE**

MODEL NUMBER	
<b>ITT / B&amp;G HV</b> (MFTD. PRIOR TO 4/76, DATE CODE DT)	<b>ARMSTRONG H-32 BF/AB</b>

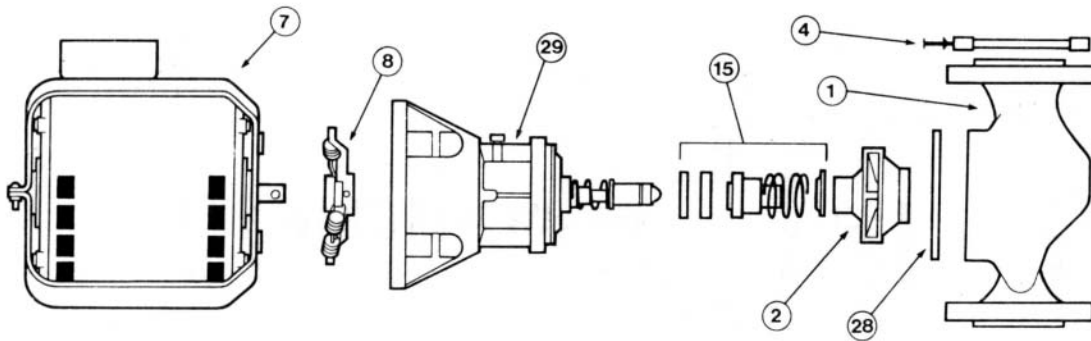


ITEM NO.	PART DESCRIPTION	PART NUMBER	
		B&G	ARMSTRONG
7	1/6 hp Motor	111036, 111031	<b>817025-001</b>
29	Universal Seal Bearing Assembly (w/Noryl Impeller)	189101/189102	<b>810119-003</b>
29	Universal Seal Bearing Assembly (w/Noryl Impeller)	189103	<b>810119-003</b>
2	Bronze Impeller	118436	<b>816322-041</b>
2	Steel Impeller	118668	<b>816322-011</b>
2	Noryl Impeller	N/A	<b>816322-111</b>
8	Coupler	118705/189110	<b>806026-001</b>
28	Body Gasket	P04890	<b>106049-000</b>
4	Flange Gasket Prior 1967	118373	<b>804034-000</b>
4	Flange Gasket New	N/A	<b>N/A</b>
15	Seal Kit	118681	<b>816706-021</b>
1	Bronze Body	118642	<b>816402-041</b>
1	Cast Iron Body	118641	<b>816402-011</b>

For Flanges: See Flanges cross reference sheet.

## CIRCULATOR PARTS CROSS REFERENCE

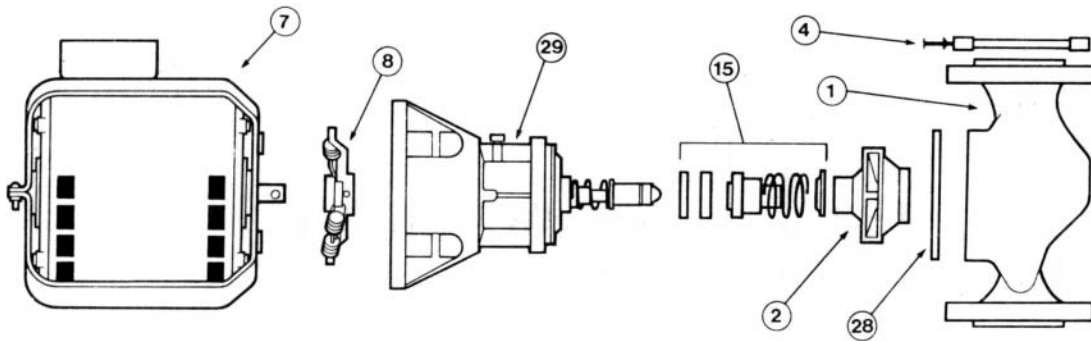
MODEL NUMBER	
<b>ITT / B&amp;G 2"</b> (Mftd. 7/76 or after, Date Code DT)	<b>ARMSTRONG (S-35)</b> <b>FOR B&amp;G PUMPS ONLY</b>



ITEM NO.	PART DESCRIPTION	PART NUMBER	
		B&G	ARMSTRONG
7	1/6 hp Motor	111061	<b>817025-005</b>
29	Seal Bearing Assembly (Std./B.F.)	189120,21,22,29	<b>816023-001</b>
29	Seal Bearing Assembly (A.B.)	189131	<b>816023-001</b>
2	Bronze Impeller	189128	N/A
2	Steel Impeller	P07792	N/A
2	Noryl Impeller	N/A	N/A
8	Coupler	118705/189110	<b>806026-001</b>
28	Body Gasket	P04890	<b>106049-000</b>
4	Flange Gasket	118065	<b>805209-000</b>
4	Flange Gasket New	N/A	N/A
15	Seal Kit	118681	<b>816706-021</b>
1	Bronze Body	189127	N/A
1	Cast Iron Body	189126	N/A

**CIRCULATOR PARTS  
CROSS REFERENCE**

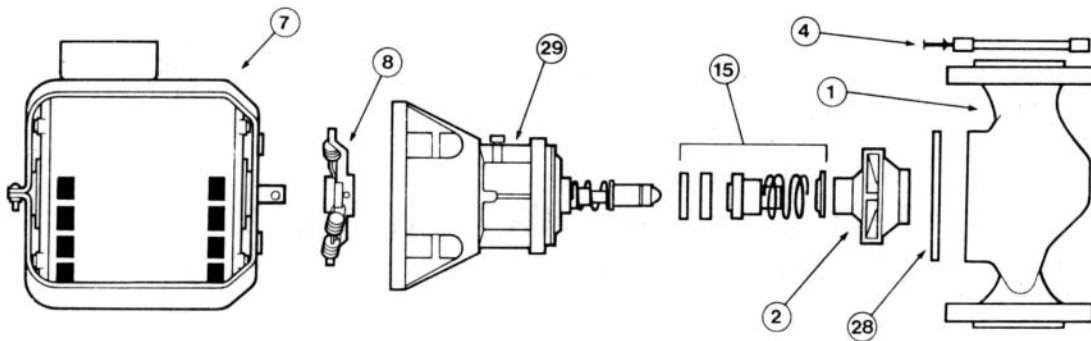
MODEL NUMBER	
ITT / B&G 2 1/2"	ARMSTRONG S-45 BF 2 1/2" FLANGE



ITEM NO.	PART DESCRIPTION	PART NUMBER	
		B&G	ARMSTRONG
7	1/4 hp Motor	111040	<b>817025-007</b>
29	Seal Bearing Assembly (Std./B.F.)	189105	<b>816027-002</b>
29	Seal Bearing Assembly (A.B.)	118447/189106	<b>816027-002</b>
2	Bronze Impeller	118440	<b>816305-058</b>
2	Steel Impeller	118676	<b>816305-028</b>
2	Noryl Impeller	N/A	<b>816305-328</b>
8	Coupler	118723	<b>806168-001</b>
28	Body Gasket	P05800	<b>106050-000</b>
4	Flange Gasket	118129	<b>805201-000</b>
4	Flange Gasket New	N/A	<b>N/A</b>
15	Seal Kit	118681	<b>816706-021</b>
1	Bronze Body	P07610	<b>805484-041</b>
1	Cast Iron Body	118644	<b>805484-011</b>

**CIRCULATOR PARTS  
CROSS REFERENCE**

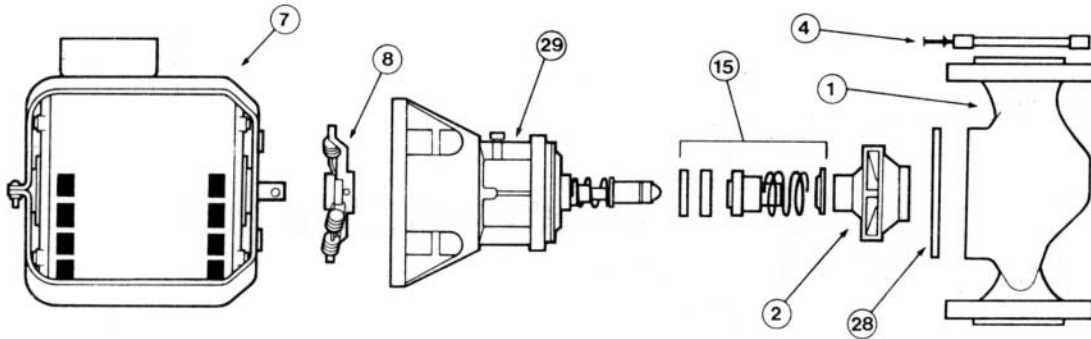
MODEL NUMBER	
ITT / B&G LD3	<b>ARMSTRONG S-45 3" FLANGE</b>



ITEM NO.	PART DESCRIPTION	PART NUMBER	
		B&G	ARMSTRONG
7	1/4 hp Motor	111040	<b>817025-007</b>
29	Seal Bearing Assembly (Std./B.F.)	189105	<b>816027-002</b>
29	Seal Bearing Assembly (A.B.)	118447/189106	<b>816027-002</b>
2	Bronze Impeller	118440	<b>816305-058</b>
2	Steel Impeller	118676	<b>816305-028</b>
2	Noryl Impeller	N/A	<b>816305-328</b>
8	Coupler	118723	<b>806168-001</b>
28	Body Gasket	P05800	<b>106050-000</b>
4	Flange Gasket	118129	<b>805201-000</b>
4	Flange Gasket New	N/A	<b>N/A</b>
15	Seal Kit	118681	<b>816706-021</b>
1	Bronze Body	P07610	<b>805484-041</b>
1	Cast Iron Body	118644	<b>805484-011</b>

**CIRCULATOR PARTS  
CROSS REFERENCE**

MODEL NUMBER	
ITT / B&G HD3	ARMSTRONG S-46

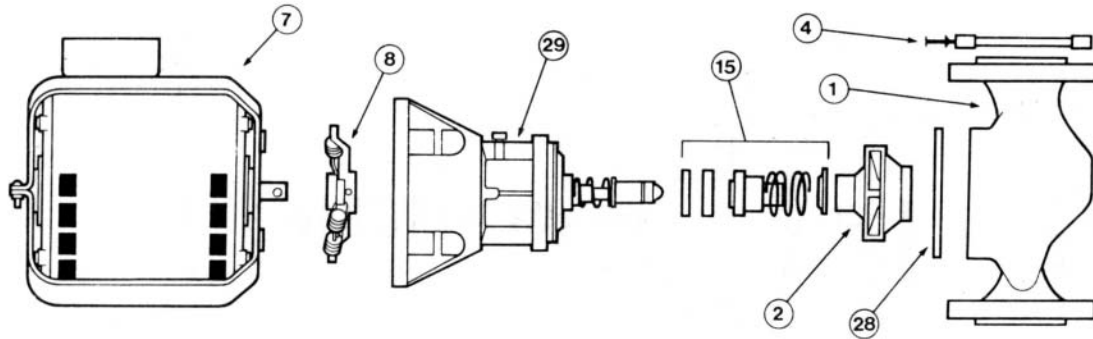


ITEM NO.	PART DESCRIPTION	PART NUMBER	
		B&G	ARMSTRONG
7	1/3 hp Motor	111042	817025-013
29	Seal Bearing Assembly (Std./B.F.)	189105	816027-002
29	Seal Bearing Assembly (A.B.)	118447/189106	816027-002
2	Bronze Impeller	118439	816305-055
2	Steel Impeller	118675	816305-025
2	Noryl Impeller	N/A	816305-328
8	Coupler	118723	806168-001
28	Body Gasket	P05800	106050-000
4	Flange Gasket	118129	805201-000
4	Flange Gasket New	N/A	N/A
15	Seal Kit	118681	816706-021
1	Bronze Body	P07610	805484-041
1	Cast Iron Body	118644	805484-011



**CIRCULATOR PARTS  
CROSS REFERENCE**

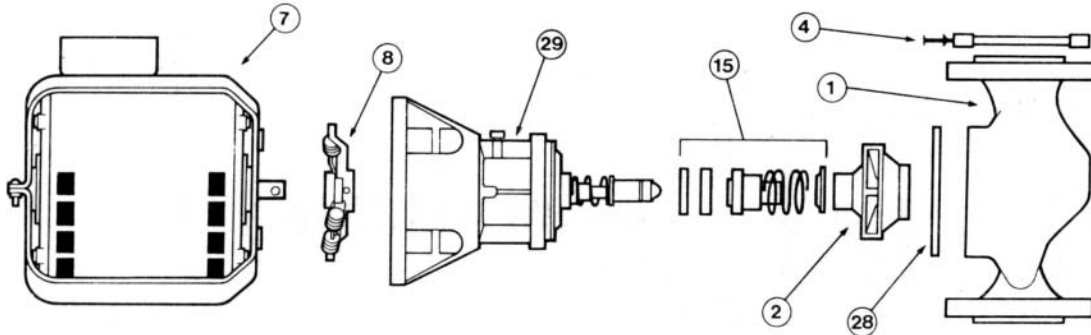
MODEL NUMBER	
ITT / B&G 1 PR	ARMSTRONG H-41 BF & AB



ITEM NO.	PART DESCRIPTION	PART NUMBER	
		B&G	ARMSTRONG
7	1/6 hp Motor	111036/111031	817025-001
29	Seal Bearing Assembly (Std./B.F.)	189105	816027-002
29	Seal Bearing Assembly (A.B.)	118447/189106	816027-002
2	Bronze Impeller	118612	816301-055
2	Steel Impeller	118830	816301-025
2	Noryl Impeller	N/A	816301-325
8	Coupler	118705/189110	806026-001
28	Body Gasket	P05800	106050-000
4	Flange Gasket	118368	805176-000
4	Flange Gasket New	N/A	N/A
15	Seal Kit	118681	816706-021
1	Bronze Body	P07570	811240-041
1	Cast Iron Body	118637	811240-011

## CIRCULATOR PARTS CROSS REFERENCE

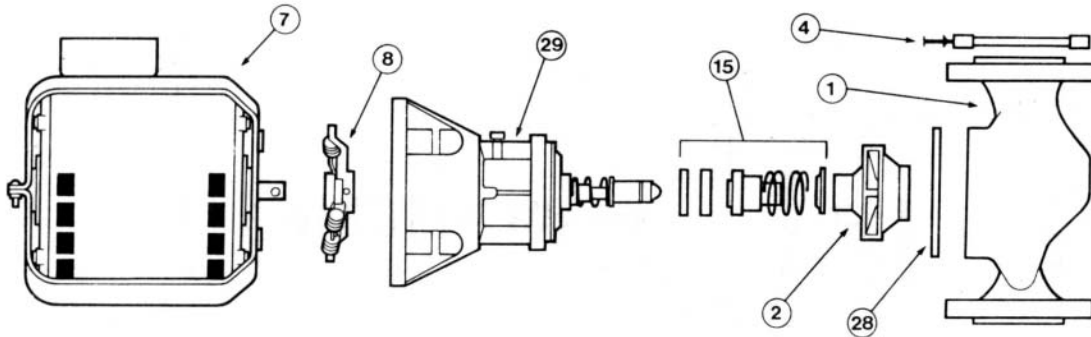
MODEL NUMBER	
ITT / B&G PD-35	<b>ARMSTRONG S-55</b> (STANDARD CONSTRUCTION IS BRONZE FITTED)



ITEM NO.	PART DESCRIPTION	PART NUMBER	
		B&G	ARMSTRONG
7	1/2 hp Motor 1PH/60/115/230	111044	<b>811757-001</b>
7	1/2 hp Motor 3PH/60/208/230/460	111046	<b>811757-020</b>
29	Seal Bearing Assembly (Std./B.F.)	186863	<b>816032-000</b>
29	Seal Bearing Assembly (A.B.)	186864	<b>816032-000</b>
2	Bronze Impeller	118627	<b>816304-051</b>
2	Steel Impeller	118630	<b>816304-021</b>
2	Noryl Impeller	N/A	<b>816304-321</b>
8	Coupler 1/2" X 5/8"	118709	<b>806137-000</b>
8	Coupler 1/2" X 3/4"	118708	<b>806140-000</b>
28	Body Gasket	P57410	<b>106158-000</b>
4	Flange Gasket	118129	<b>805201-000</b>
15	Seal Kit	118681	<b>816706-021</b>
1	Bronze Body	P09290	<b>804133-041</b>
1	Cast Iron Body	118449	<b>804133-011</b>

## CIRCULATOR PARTS CROSS REFERENCE

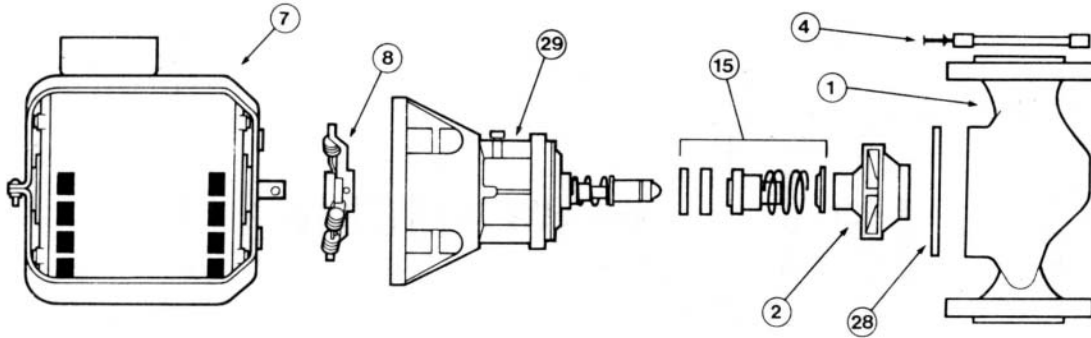
MODEL NUMBER	
ITT / B&G PD-37	<b>ARMSTRONG S-57</b> (STANDARD CONSTRUCTION IS BRONZE FITTED)



ITEM NO.	PART DESCRIPTION	PART NUMBER	
		B&G	ARMSTRONG
7	3/4 hp Motor 1PH/60/115/230	111047	<b>811757-002</b>
7	3/4 hp Motor 3PH/60/208/230/460	111049	<b>811757-024</b>
29	Seal Bearing Assembly (Std./B.F.)	186863	<b>816032-000</b>
29	Seal Bearing Assembly (A.B.)	186864	<b>816032-000</b>
2	Bronze Impeller	118626	<b>816304-047</b>
2	Steel Impeller	118629	<b>816304-027</b>
2	Noryl Impeller	N/A	<b>816304-317</b>
8	Coupler 1/2" X 5/8"	118709	<b>806137-000</b>
8	Coupler 1/2" X 3/4"	118708	<b>806140-000</b>
28	Body Gasket	P57410	<b>106158-000</b>
4	Flange Gasket	118129	<b>805201-000</b>
15	Seal Kit	118681	<b>816706-021</b>
1	Bronze Body	P09290	<b>804133-041</b>
1	Cast Iron Body	118449	<b>804133-011</b>

## CIRCULATOR PARTS CROSS REFERENCE

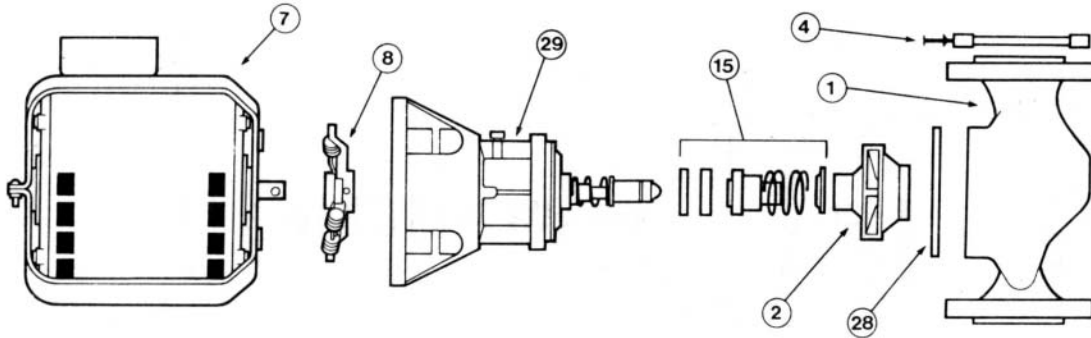
MODEL NUMBER	
ITT / B&G 60-1 (OLD), 60-11 (NEW)	<b>ARMSTRONG H-51</b> (STANDARD CONSTRUCTION IS BRONZE FITTED)



ITEM NO.	PART DESCRIPTION	PART NUMBER	
		B&G	ARMSTRONG
7	1/4 hp Motor 1PH/60/115/230	111040	<b>816141-001</b>
29	Seal Bearing Assembly (Std./B.F.)	186863	<b>816032-000</b>
29	Seal Bearing Assembly (A.B.)	186864	<b>816032-000</b>
2	Bronze Impeller	186359/186360	<b>816302-049</b>
2	Steel Impeller	186441	<b>816302-019</b>
2	Noryl Impeller	N/A	<b>816302-319</b>
8	Coupler	118473	<b>807436-000</b>
28	Body Gasket	P57410	<b>106158-000</b>
4	Flange Gasket	118368	<b>805176-000</b>
15	Seal Kit	118681	<b>816706-021</b>
1	Bronze Body	186385	<b>816337-041</b>
1	Cast Iron Body	186384	<b>816337-011</b>

## CIRCULATOR PARTS CROSS REFERENCE

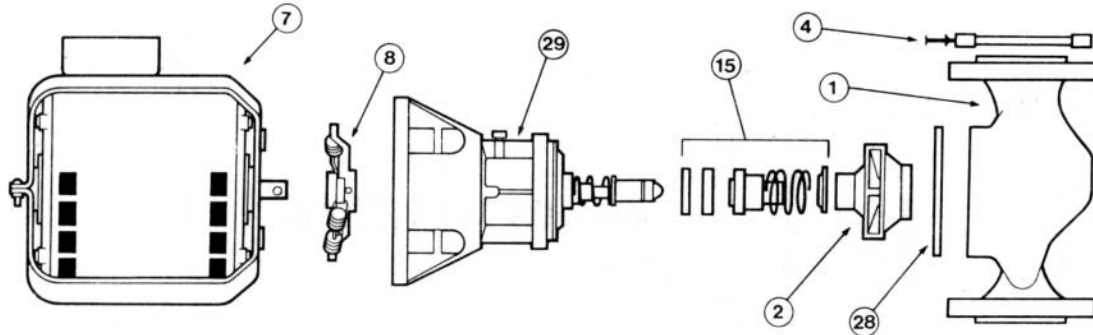
MODEL NUMBER	
<b>ITT / B&amp;G 60-2 (OLD)</b>	<b>ARMSTRONG H-52 BF Single Phase</b> (STANDARD CONSTRUCTION IS BRONZE FITTED)



ITEM NO.	PART DESCRIPTION	PART NUMBER	
		B&G	ARMSTRONG
7	1/3 hp Motor 1PH/60/115/230	169038	<b>816141-002</b>
29	Seal Bearing Assembly (Std./B.F.)	186863	<b>816032-000</b>
29	Seal Bearing Assembly (A.B.)	186864	<b>816032-000</b>
2	Bronze Impeller	186359	<b>816302-047</b>
2	Steel Impeller	186441	<b>816302-017</b>
2	Noryl Impeller	N/A	<b>816302-317</b>
8	Coupler	118473	<b>807436-000</b>
28	Body Gasket	P57410	<b>106158-000</b>
4	Flange Gasket	118368	<b>805176-000</b>
15	Seal Kit	118681	<b>816706-021</b>
1	Bronze Body	N/A	<b>816337-041</b>
1	Cast Iron Body	186386	<b>816337-011</b>

## CIRCULATOR PARTS CROSS REFERENCE

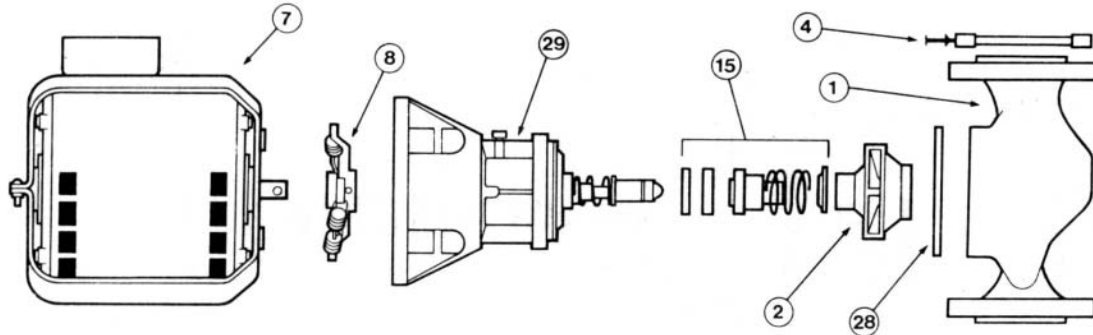
MODEL NUMBER	
ITT / B&G 60-3 (OLD), 60-13 (NEW)	<b>ARMSTRONG H-53 BF &amp; AB</b> <small>(STANDARD CONSTRUCTION IS BRONZE FITTED)</small>



ITEM NO.	PART DESCRIPTION	PART NUMBER	
		B&G	ARMSTRONG
7	1/2 hp Motor 1PH/60/115/230	111044	811757-001
7	1/2 hp Motor 3PH/60/208/230/460	111046	831011-083* 811757-024
29	Seal Bearing Assembly (Std./B.F.)	186863	816032-000
29	Seal Bearing Assembly (A.B.)	186864	816032-000
2	Bronze Impeller	186368	816303-047
2	Steel Impeller	P61010	816303-017
2	Noryl Impeller	N/A	816303-317
8	Coupler 1/2" x 5/8"	118709	806137-000
28	Body Gasket	P57410	106158-000
4	Flange Gasket	118368	805176-000
15	Seal Kit	118681	816706-021
1	Bronze Body	N/A	816337-041
1	Cast Iron Body	186386	816337-011

## CIRCULATOR PARTS CROSS REFERENCE

MODEL NUMBER	
ITT / B&G 60-4 (OLD), 60-14 (NEW)	<b>ARMSTRONG H-54 BF &amp; AB</b> (STANDARD CONSTRUCTION IS BRONZE FITTED)

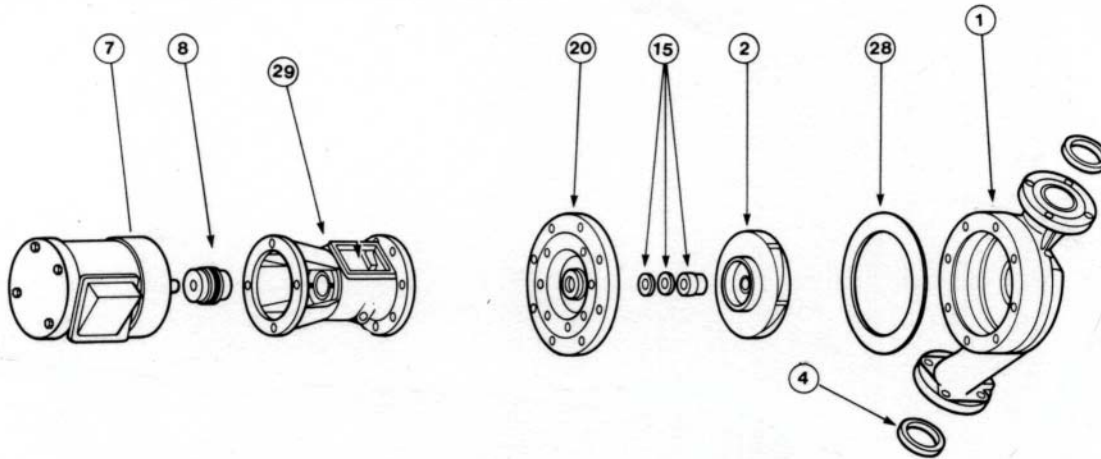


ITEM NO.	PART DESCRIPTION	PART NUMBER	
		B&G	ARMSTRONG
7	3/4 hp Motor 1PH/60/115/230	111047	811757-002
7	3/4 hp Motor 3PH/60/208/230/460	111049	831012-083* 811757-024
29	Seal Bearing Assembly (Std./B.F.)	186863	816032-000
29	Seal Bearing Assembly (A.B.)	186864	816032-000
2	Bronze Impeller	118626	816304-047
2	Steel Impeller	118629	816304-017
2	Noryl Impeller	N/A	816304-317
8	Coupler 1/2" x 5/8"	118709	806137-000
28	Body Gasket	P57410	106158-000
4	Flange Gasket	118378	816117-000
15	Seal Kit	118681	816706-021
1	Bronze Body	P57200	816338-041
1	Cast Iron Body	186392	816338-011

\*Rigid Mount Ball Bearing Motor can be supplied or the Resilient Mount Motor.

## CIRCULATOR PARTS CROSS REFERENCE

MODEL NUMBER	
<b>ITT / B&amp;G PD-39</b> (Mftd. Prior to 10/77, Date Coded KU)	<b>ARMSTRONG - NO EQUIVALENT</b>



ITEM NO.	PART DESCRIPTION	PART NUMBER	
		B&G	ARMSTRONG
7	1 hp Motor 1PH/60/115/230	111050	811757-007
7	1 hp Motor 3PH/60/208/230/460	111051	811757-028
29	Seal Bearing Assembly (Std./B.F.)	185232	816133-000**
29	Seal Bearing Assembly (A.B.)	185234	816134-000**
2	Bronze Impeller	118453	816311-041
2	Steel Impeller	N/A	N/A
8	Coupler 5/8" X 1/2"	186410	812734-000
8	Coupler 5/8" X 5/8"	118476/P77265	816665-000
28	Body Gasket	P57700	106592-000
4	Flange Gasket	118129	805201-000
15	Seal Kit	186499	810120-009

\*\*NOTES: Use the B&G Impeller (with pressure balance holes) with these Bearing Assemblies. These Bearing Assemblies include the following Cover Plates and are supplied with Part Number 817607-001 Seal Kit and Body Gasket:

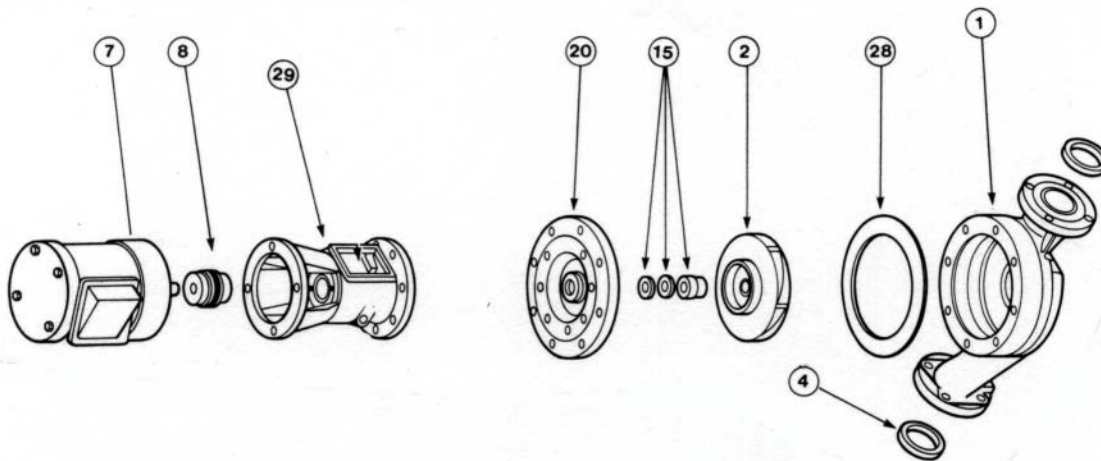
**#20 for STD. & B.F. 816347-011**  
**#20 for A.B. 816347-041**



## CIRCULATOR PARTS CROSS REFERENCE

MODEL NUMBER	
ITT / B&G PD-39 (Mftd. Prior to 10/77 or after, Date Coded KU)	ARMSTRONG - NO EQUIVALENT

(STANDARD CONSTRUCTION IS BRONZE FITTED)



ITEM NO.	PART DESCRIPTION	PART NUMBER	
		B&G	ARMSTRONG
7	1 hp Motor 1PH/60/115/230	111050	811757-007
7	1 hp Motor 3PH/60/208/230/460	111051	811757-028
29	Seal Bearing Assembly (Std./B.F.)	185260	816133-000**
29	Seal Bearing Assembly (A.B.)	185262	816134-000**
2	Bronze Impeller	118453	816311-041
2	Steel Impeller	N/A	N/A
8	Coupler 5/8" X 1/2"	186410	810120-008
8	Coupler 5/8" X 5/8"	118476/P77265	816665-000
28	Body Gasket	P57700	106592-000
4	Flange Gasket	118129	805201-000
15	Seal Kit	186499	810120-009

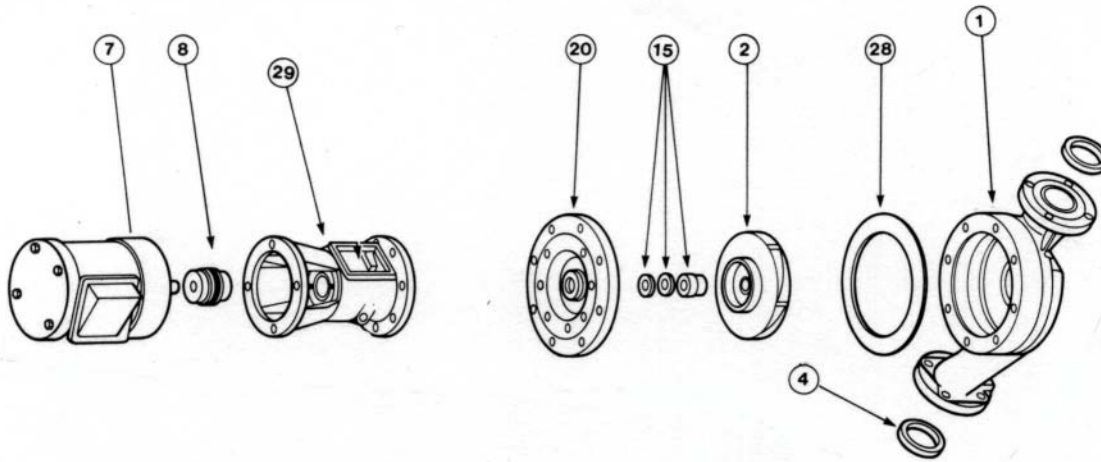
\*\*NOTES: Use the B&G Impeller (with pressure balance holes) with these Bearing Assemblies. These Bearing Assemblies include the following Cover Plates and are supplied with Part Number 817607-001 Seal Kit and Body Gasket:

**#20 for STD. & B.F. 816347-011**  
**#20 for A.B. 816347-041**

## CIRCULATOR PARTS CROSS REFERENCE

MODEL NUMBER	
<b>ITT / B&amp;G 60-5 (OLD), 60-15 (NEW)</b> (Mftd. Prior to 10/77 or after, Date Coded KU)	<b>ARMSTRONG - NO EQUIVALENT</b>

(STANDARD CONSTRUCTION IS BRONZE FITTED)



ITEM NO.	PART DESCRIPTION	PART NUMBER	
		B&G	ARMSTRONG
7	1/2 hp Motor 1PH/60/115/230	111044	<b>811757-001</b>
7	1/2 hp Motor 3PH/60/208/230/460	111046	<b>811757-020</b>
29	Seal Bearing Assembly (Std./B.F.)	185232	<b>816133-000**</b>
29	Seal Bearing Assembly (A.B.)	185234	<b>816134-000**</b>
2	Bronze Impeller	P57445	<b>816309-041</b>
2	Steel Impeller	N/A	<b>N/A</b>
8	Coupler 5/8" X 1/2"	186410	<b>810120-008</b>
8	Coupler 5/8" X 5/8"	118476/P77265	<b>816665-000</b>
28	Body Gasket	P57700	<b>106592-000</b>
4	Flange Gasket	118373	<b>804034-000</b>
15	Seal Kit	186499	<b>810120-009</b>

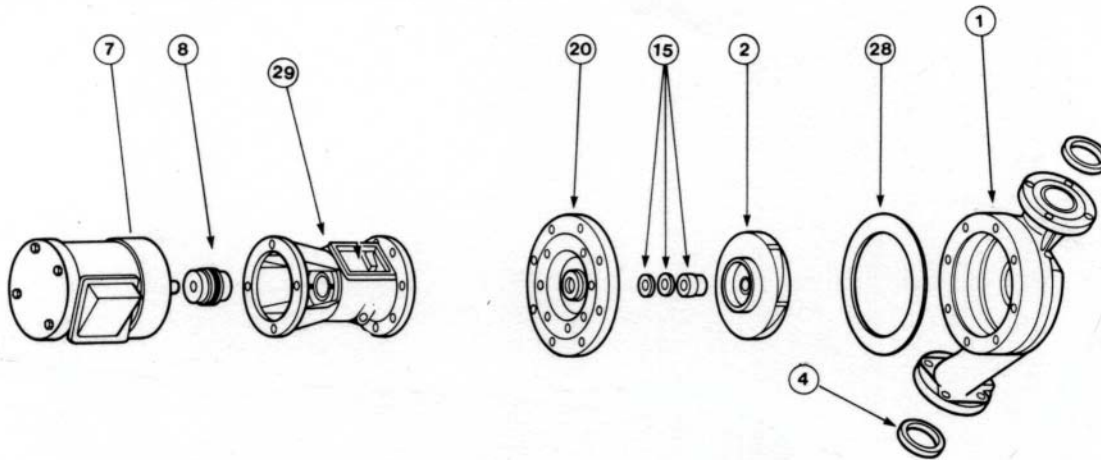
\*\*NOTES: Use the B&G Impeller (with pressure balance holes) with these Bearing Assemblies. These Bearing Assemblies include the following Cover Plates and are supplied with Part Number 817607-001 Seal Kit and Body Gasket:

**#20 for STD. & B.F. 816347-011**  
**#20 for A.B. 816347-041**

## CIRCULATOR PARTS CROSS REFERENCE

MODEL NUMBER	
<b>ITT / B&amp;G 60-6 (OLD), 60-16 (NEW)</b> (Mftd. Prior to 10/77, Date Coded KU)	<b>ARMSTRONG - NO EQUIVALENT</b>

(STANDARD CONSTRUCTION IS BRONZE FITTED)



ITEM NO.	PART DESCRIPTION	PART NUMBER	
		B&G	ARMSTRONG
7	3/4 hp Motor 1PH/60/115/230	111047	<b>811757-002</b>
7	3/4 hp Motor 3PH/60/208/230/460	111049	<b>811757-024</b>
29	Seal Bearing Assembly (Std./B.F.)	185232	<b>816133-000**</b>
29	Seal Bearing Assembly (A.B.)	185234	<b>816134-000**</b>
2	Bronze Impeller	P57445	<b>816309-041</b>
2	Steel Impeller	N/A	<b>N/A</b>
8	Coupler 5/8" X 1/2"	186410	<b>810120-008</b>
8	Coupler 5/8" X 5/8"	118476/P77265	<b>816665-000</b>
28	Body Gasket	P57700	<b>106592-000</b>
4	Flange Gasket	118373	<b>804034-000</b>
15	Seal Kit	186499	<b>810120-009</b>

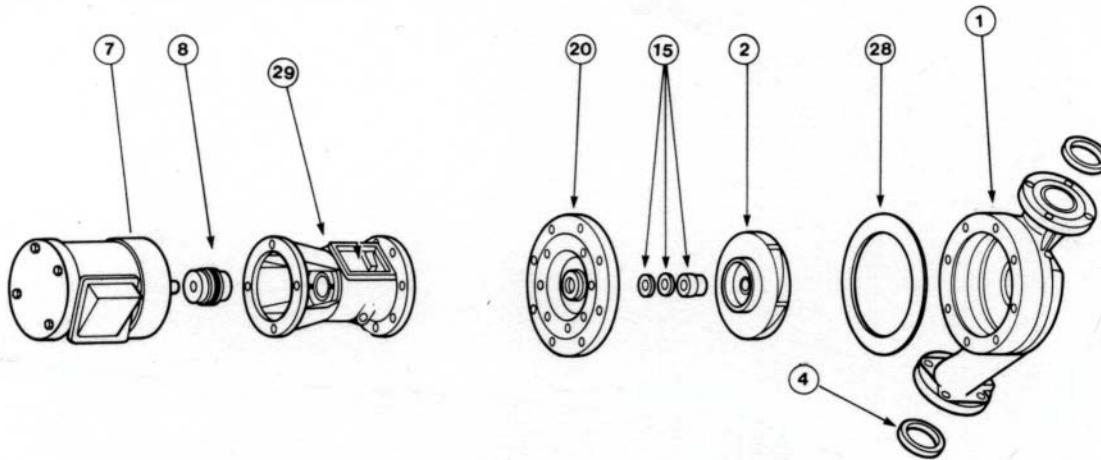
\*\*NOTES: Use the B&G Impeller (with pressure balance holes) with these Bearing Assemblies. These Bearing Assemblies include the following Cover Plates and are supplied with Part Number 817607-001 Seal Kit and Body Gasket:

**#20 for STD. & B.F. 816347-011**  
**#20 for A.B. 816347-041**

## CIRCULATOR PARTS CROSS REFERENCE

MODEL NUMBER	
<b>ITT / B&amp;G 60-7 (OLD), 60-17 (NEW)</b> (Mftd. Prior to 10/77, Date Coded KU)	<b>ARMSTRONG - NO EQUIVALENT</b>

(STANDARD CONSTRUCTION IS BRONZE FITTED)



ITEM NO.	PART DESCRIPTION	PART NUMBER	
		B&G	ARMSTRONG
7	1 hp Motor 1PH/60/115/230	111050	<b>811757-007</b>
7	1 hp Motor 3PH/60/208/230/460	111051	<b>811757-028</b>
29	Seal Bearing Assembly (Std./B.F.)	185232	<b>816133-000**</b>
29	Seal Bearing Assembly (A.B.)	185234	<b>816134-000**</b>
2	Bronze Impeller	P57445	<b>816309-041</b>
2	Steel Impeller	N/A	<b>N/A</b>
8	Coupler 5/8" X 1/2"	186410	<b>810120-008</b>
8	Coupler 5/8" X 5/8"	118476/P77265	<b>816665-000</b>
28	Body Gasket	P57700	<b>106592-000</b>
4	Flange Gasket	118373	<b>804034-000</b>
15	Seal Kit	186499	<b>810120-009</b>

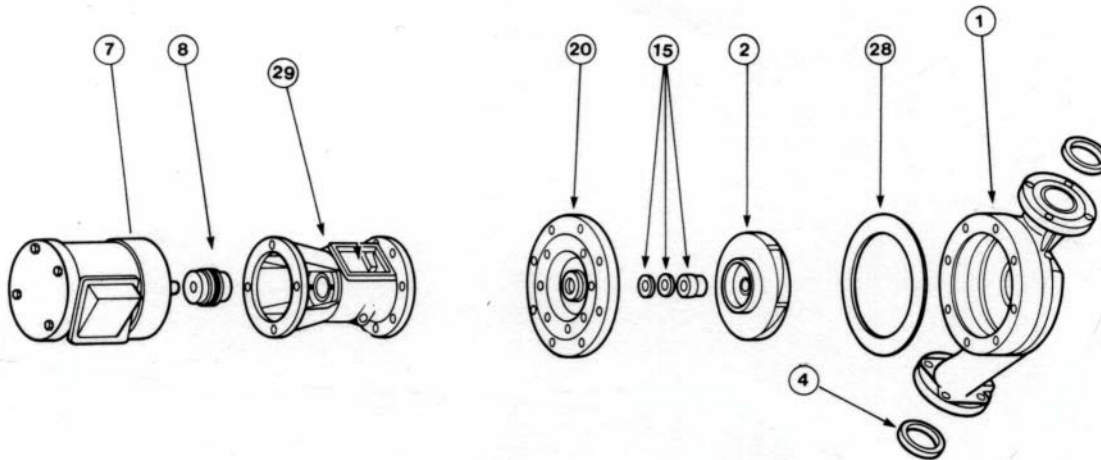
\*\*NOTES: Use the B&G Impeller (with pressure balance holes) with these Bearing Assemblies. These Bearing Assemblies include the following Cover Plates and are supplied with Part Number 817607-001 Seal Kit and Body Gasket:

**#20 for STD. & B.F. 816347-011**  
**#20 for A.B. 816347-041**

## CIRCULATOR PARTS CROSS REFERENCE

MODEL NUMBER	
<b>ITT / B&amp;G 60-9 (OLD), 60-19 (NEW)</b> (Mftd. Prior to 10/77, Date Coded KU)	<b>ARMSTRONG - NO EQUIVALENT</b>

(STANDARD CONSTRUCTION IS BRONZE FITTED)



ITEM NO.	PART DESCRIPTION	PART NUMBER	
		B&G	ARMSTRONG
7	1 hp Motor 1PH/60/115/230	111050	<b>811757-007</b>
7	1 hp Motor 3PH/60/208/230/460	111051	<b>811757-028</b>
29	Seal Bearing Assembly (Std./B.F.)	185232	<b>816133-000**</b>
29	Seal Bearing Assembly (A.B.)	185234	<b>816134-000**</b>
2	Bronze Impeller	P57450	<b>816310-041</b>
2	Steel Impeller	N/A	<b>N/A</b>
8	Coupler 5/8" X 1/2"	186410	<b>810120-008</b>
8	Coupler 5/8" X 5/8"	118476/P77265	<b>816665-000</b>
28	Body Gasket	P57700	<b>106592-000</b>
4	Flange Gasket	118378	<b>816117-000</b>
15	Seal Kit	186499	<b>810120-009</b>

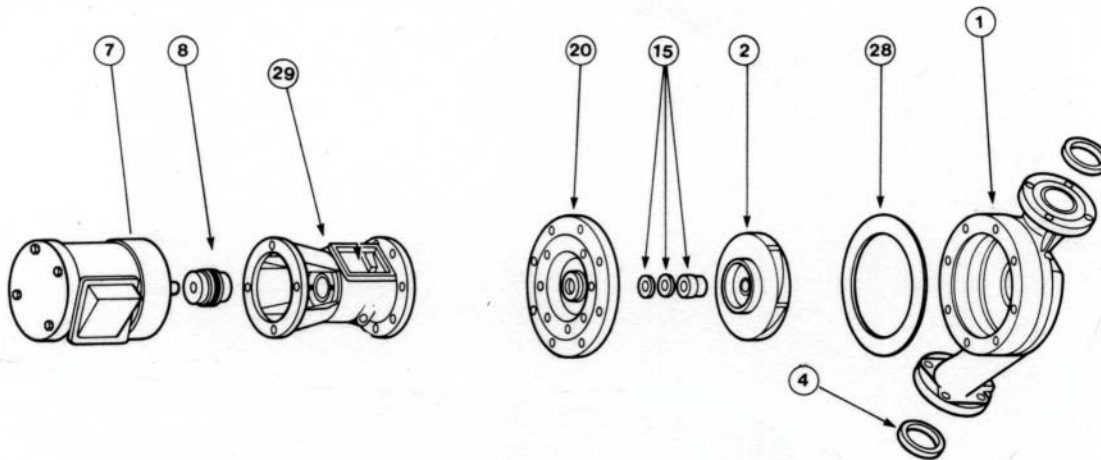
\*\*NOTES: Use the B&G Impeller (with pressure balance holes) with these Bearing Assemblies. These Bearing Assemblies include the following Cover Plates and are supplied with Part Number 817607-001 Seal Kit and Body Gasket:

**#20 for STD. & B.F. 816347-011**  
**#20 for A.B. 816347-041**

## CIRCULATOR PARTS CROSS REFERENCE

MODEL NUMBER	
ITT / B&G 60-10 (OLD), 60-20 (NEW) (Mftd. Prior to 10/77, Date Coded KU)	ARMSTRONG - NO EQUIVALENT

(STANDARD CONSTRUCTION IS BRONZE FITTED)



ITEM NO.	PART DESCRIPTION	PART NUMBER	
		B&G	ARMSTRONG
7	1 1/2 hp Motor 1PH/60/115/230	169005	816678-062
7	1 1/2 hp Motor 3PH/60/208/230/460	169091/169092	816678-069
29	Seal Bearing Assembly (Std./B.F.)	185232	816133-000**
29	Seal Bearing Assembly (A.B.)	185234	816134-000**
2	Bronze Impeller	P57450	816310-041
2	Steel Impeller	N/A	N/A
8	Coupler 5/8" X 1/2"	186410	810120-008
8	Coupler 5/8" X 5/8"	118476/P77265	816665-000
28	Body Gasket	P57700	106592-000
4	Flange Gasket	118373	804034-000
15	Seal Kit	186499	810120-009

\*\*NOTES: Use the B&G Impeller (with pressure balance holes) with these Bearing Assemblies. These Bearing Assemblies include the following Cover Plates and are supplied with Part Number 817607-001 Seal Kit and Body Gasket:

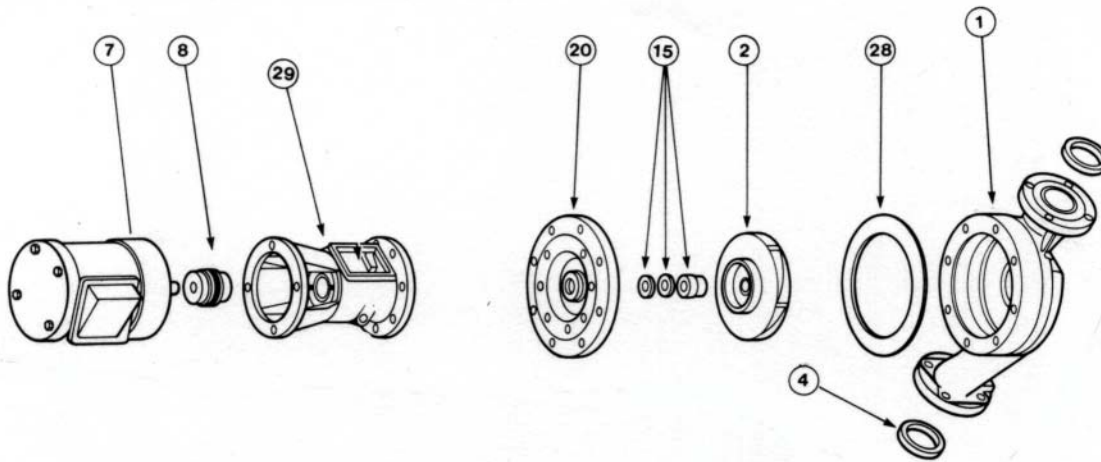
**#20 for STD. & B.F. 816347-011**  
**#20 for A.B. 816347-041**



## CIRCULATOR PARTS CROSS REFERENCE

MODEL NUMBER	
<b>ITT / B&amp;G 60-6 (OLD), 60-16 (NEW)</b> (Mftd. Prior to 10/77 or after, Date Coded KU)	<b>ARMSTRONG - NO EQUIVALENT</b>

(STANDARD CONSTRUCTION IS BRONZE FITTED)



ITEM NO.	PART DESCRIPTION	PART NUMBER	
		B&G	ARMSTRONG
7	3/4 hp Motor 1PH/60/115/230	111047	<b>811757-002</b>
7	3/4 hp Motor 3PH/60/208/230/460	111049	<b>811757-024</b>
29	Seal Bearing Assembly (Std./B.F.)	185260	<b>816133-000**</b>
29	Seal Bearing Assembly (A.B.)	185262	<b>816134-000**</b>
2	Bronze Impeller	P57445	<b>816309-041</b>
2	Steel Impeller	N/A	<b>N/A</b>
8	Coupler 5/8" X 1/2"	186410	<b>810120-008</b>
8	Coupler 5/8" X 5/8"	118476/P77265	<b>816665-000</b>
28	Body Gasket	P57700	<b>106592-000</b>
4	Flange Gasket	118373	<b>804034-000</b>
15	Seal Kit	186499	<b>810120-009</b>

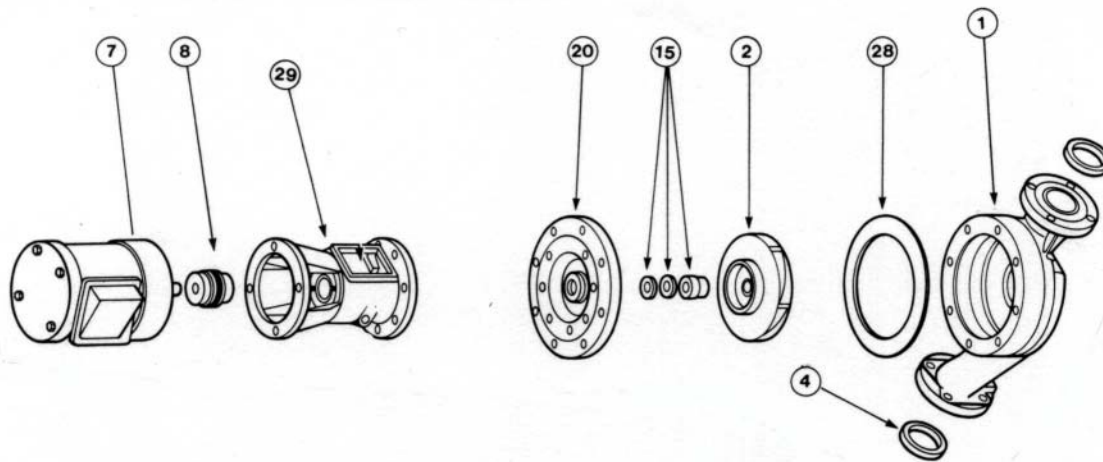
\*\*NOTES: Use the B&G Impeller (with pressure balance holes) with these Bearing Assemblies. These Bearing Assemblies include the following Cover Plates and are supplied with Part Number 817607-001 Seal Kit and Body Gasket:

**#20 For STD. & B.F. 816347-011**  
**#20 For A.B. 816347-041**

## CIRCULATOR PARTS CROSS REFERENCE

MODEL NUMBER	
<b>ITT / B&amp;G 60-7 (OLD), 60-17 (NEW)</b> (Mftd. Prior to 10/77 or after, Date Coded KU)	<b>ARMSTRONG - NO EQUIVALENT</b>

(STANDARD CONSTRUCTION IS BRONZE FITTED)



ITEM NO.	PART DESCRIPTION	PART NUMBER	
		B&G	ARMSTRONG
7	1 hp Motor 1PH/60/115/230	111050	<b>811757-007</b>
7	1 hp Motor 3PH/60/208/230/460	111051	<b>811757-028</b>
29	Seal Bearing Assembly (Std./B.F.)	185260	<b>816133-000**</b>
29	Seal Bearing Assembly (A.B.)	185262	<b>816134-000**</b>
2	Bronze Impeller	P57445	<b>816309-041</b>
2	Steel Impeller	N/A	<b>N/A</b>
8	Coupler 5/8" X 1/2"	186410	<b>810120-008</b>
8	Coupler 5/8" X 5/8"	118476/P77265	<b>816665-000</b>
28	Body Gasket	P57700	<b>106592-000</b>
4	Flange Gasket	118373	<b>804034-000</b>
15	Seal Kit	186499	<b>810120-009</b>

\*\*NOTES: Use the B&G Impeller (with pressure balance holes) with these Bearing Assemblies. These Bearing Assemblies include the following Cover Plates and are supplied with Part Number 817607-001 Seal Kit and Body Gasket:

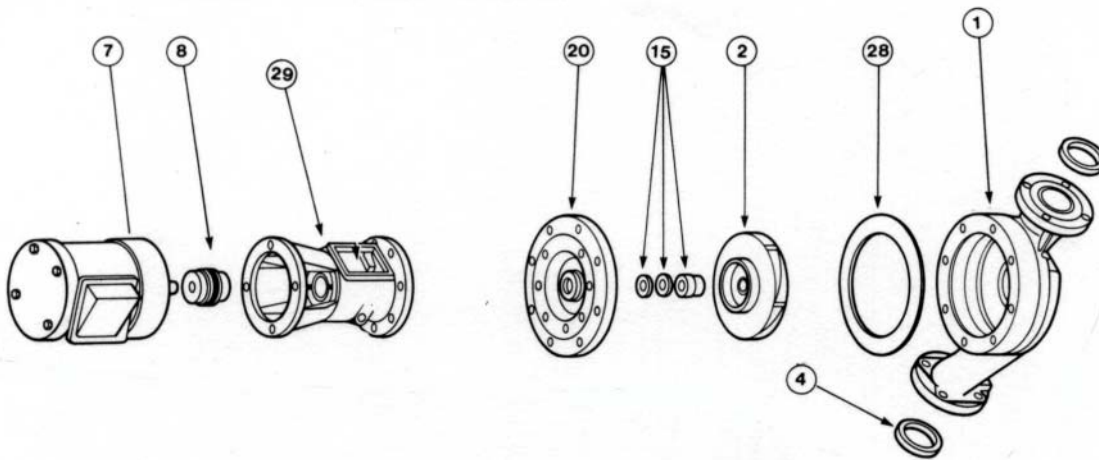
**#20 for STD. & B.F. 816347-011**  
**#20 for A.B. 816347-041**



## CIRCULATOR PARTS CROSS REFERENCE

MODEL NUMBER	
<b>ITT / B&amp;G 60-9 (OLD), 60-19 (NEW)</b> (Mftd. Prior to 10/77 or after, Date Coded KU)	<b>ARMSTRONG - NO EQUIVALENT</b>

(STANDARD CONSTRUCTION IS BRONZE FITTED)



ITEM NO.	PART DESCRIPTION	PART NUMBER	
		B&G	ARMSTRONG
7	1 hp Motor 1PH/60/115/230	111050	<b>811757-007</b>
7	1 hp Motor 3PH/60/208/230/460	111051	<b>811757-028</b>
29	Seal Bearing Assembly (Std./B.F.)	185260	<b>816133-000**</b>
29	Seal Bearing Assembly (A.B.)	185262	<b>816134-000**</b>
2	Bronze Impeller	P57450	<b>816310-041</b>
2	Steel Impeller	N/A	<b>N/A</b>
8	Coupler 5/8" X 1/2"	186410	<b>810120-008</b>
8	Coupler 5/8" X 5/8"	118476/P77265	<b>816665-000</b>
28	Body Gasket	P57700	<b>106592-000</b>
4	Flange Gasket	118378	<b>816117-000</b>
15	Seal Kit	186499	<b>810120-009</b>

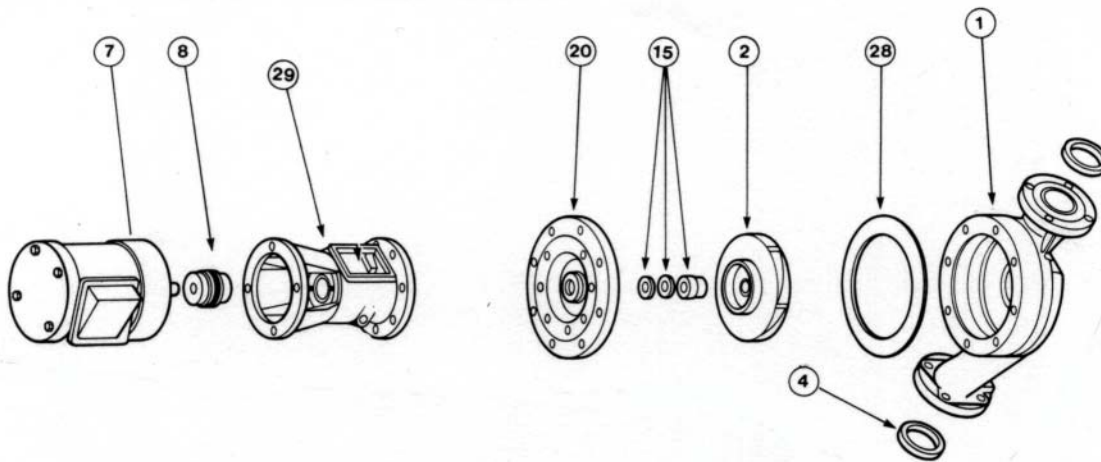
\*\*NOTES: Use the B&G Impeller (with pressure balance holes) with these Bearing Assemblies. These Bearing Assemblies include the following Cover Plates and are supplied with Part Number 817607-001 Seal Kit and Body Gasket:

**#20 for STD. & B.F. 816347-011**  
**#20 For A.B. 816347-041**

## CIRCULATOR PARTS CROSS REFERENCE

MODEL NUMBER	
<b>ITT / B&amp;G 60-10 (OLD), 60-20 (NEW)</b> (Mftd. Prior to 10/77 or after, Date Coded KU)	<b>ARMSTRONG - NO EQUIVALENT</b>

(STANDARD CONSTRUCTION IS BRONZE FITTED)



ITEM NO.	PART DESCRIPTION	PART NUMBER	
		B&G	ARMSTRONG
7	1 1/2 hp Motor 1PH/60/115/230	169005	<b>816678-062</b>
7	1 1/2 hp Motor 3PH/60/208/230/460	169091/169092 111052	<b>816678-069</b>
29	Seal Bearing Assembly (Std./B.F.)	185260	<b>816133-000**</b>
29	Seal Bearing Assembly (A.B.)	185262	<b>816134-000**</b>
2	Bronze Impeller	P57450	<b>816310-041</b>
2	Steel Impeller	N/A	<b>N/A</b>
8	Coupler 5/8" X 1/2"	186410	<b>810120-008</b>
8	Coupler 5/8" X 5/8"	118476/P77265	<b>816665-000</b>
28	Body Gasket	P57700	<b>106592-000</b>
4	Flange Gasket	118373	<b>804034-000</b>
15	Seal Kit	186499	<b>810120-009</b>

\*\*NOTES: Use the B&G Impeller (with pressure balance holes) with these Bearing Assemblies. These Bearing Assemblies include the following Cover Plates and are supplied with Part Number 817607-001 Seal Kit and Body Gasket:

**#20 for STD. & B.F. 816347-011**  
**#20 for A.B. 816347-041**

**CIRCULATOR PARTS  
CROSS REFERENCE**

**For B&G Pumps Only**

Description	PART NUMBER	
	B&G	ARMSTRONG
2" - SBA	189129-189120	<b>816023-001</b>
2" - 1/6 hp Motor	111061	<b>817025-005</b>
SBA for PD-39, 60-5, 60-6, 60-7, 60-9 & 60-10 60-15, 60-16, 60-17, 60-19 & 60-20	185260 Std/BF Old #PD26Z-12351 185232 Std/BF Old #PD25Z-12351	<b>816133-000***</b>
Same as above	185262 AB 185234 AB	<b>816134-000***</b>
HD3 - 1/3 hp Motor	111042	<b>816025-013</b>

\*\*\*NOTE: Use the B&G Impeller (with pressure balance holes) with these bearing assemblies. These seal bearing assemblies include the 816366-041 bearing assembly, 816707-001 seal kit, and either the 816347-011 Std./B.F. cover plate of the 816347-041 A.B.